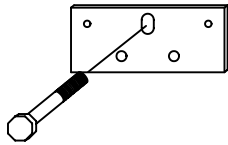
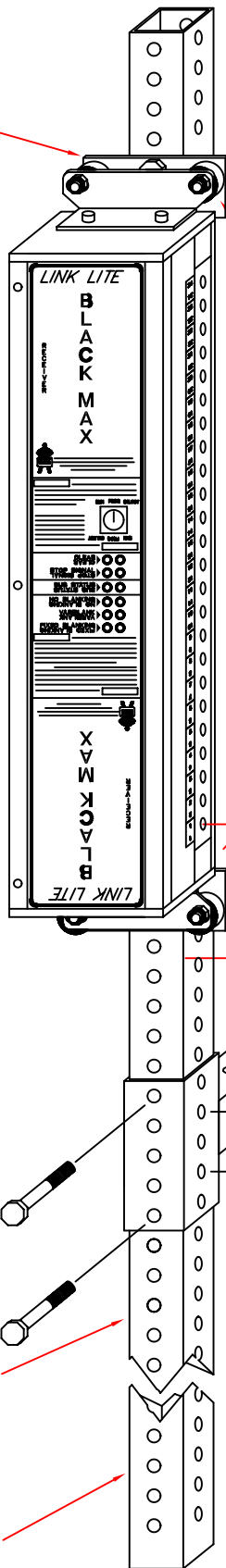


INCLUDED IN
HARDWARE KIT
(2 PER SIDE)



ALL NUTS, BOLTS, WASHERS, IN HARDWARE KIT
LINK P/N: 106535 (42 PCS)

DESCRIPTION	QTY	LINK P/N:
BOLTS (HEX 3/8-16 X 2 1/2)	10	106135
WASHERS (3/8 FLAT)	20	103311
NUTS (NYLOCK 3/8-16)	10	102249
305 MTG BRACKET	2	105409



3/4 SHOCK MOUNTS (4 PLS)
(INCLUDED WITH LIGHT CURTAIN,
NOT INCLUDED IN HARDWARE KIT)

DISTANCE FROM PRESS
TO VERT. SUPPORT:

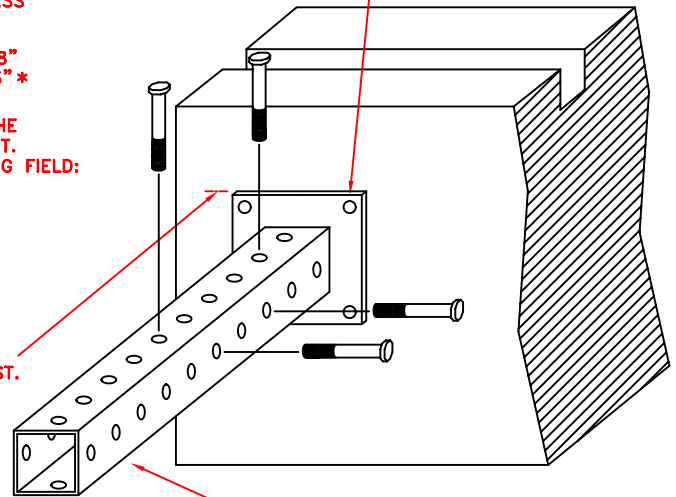
MAX. 'A' DIST. = 18"
MIN. 'A' DIST. = 13"*

ADD TO 'A' DIST. THE
DISTANCE FROM VERT.
SUPPORT TO SENSING FIELD:
2.0"

2.0

'A' DIST.

3/8 DIA. HOLES FOR
MOUNTING TO PRESS



10" BASE
(2" TUBE)
LINK P/N: 106534

10" T-CONNECTOR
(1 3/4" TUBE)
LINK P/N: 106518

VERT. SUPPORT
(1 3/4" TUBE)

VERT. LENGTH	LINK P/N
34"	106246
48"	106247
60"	106248

ANY EXCESS LENGTH
MAY BE CUT OFF

1 ASSEMBLY (4 PCS) FOR EACH TRANSMITTER OR RECEIVER

ASSEMBLY P/N	BLACK MAX UNIT	VERT. SUPPORT
900388	18", 24"	34"
900389	30", 36"	48"
900390	42", 48"	60"

FINISH: CARBIDE BLACK

* NOTE:
MINIMUM 'A' DISTANCE CAN BE 6" IF BASE AND
T-CONNECTOR ARE CUT OFF. DO NOT CUT BASE
AND T-CONNECTOR TO LESS THAN 6" EACH.

WARNING!!

The Link Lite Black Max must be installed so that the distance between its sensing field and the nearest point of operation hazard is greater than or equal to the minimum safety distance which must be calculated by a formula specified by OSHA and ANSI. See latest editions OSHA 1910.217, ANSI B11.1 and B11.9.



LINK SYSTEMS

LINK ELECTRIC & SAFETY CONTROL CO.
444 McNally Dr. • Nashville, TN. 37211

LINK LITE BLACK MAX MOUNTING
BRACKET ASSEMBLY, STRAIGHT
DRAWING P/N: 106616

NO	DESCRIPTION	DATE	BY
REVISIONS			
<small>This drawing and/or technical information is the property of LINK ELECTRIC & SAFETY CONTROL CO. This is submitted in confidence and is not to be reproduced for others without LINK's prior written consent.</small>			

SCALE 1=3	DATE 5-7-96	CODE IDENT NO 305
DWN BY JCN	CHK BY	DRAWING NUMBER C-305-1125